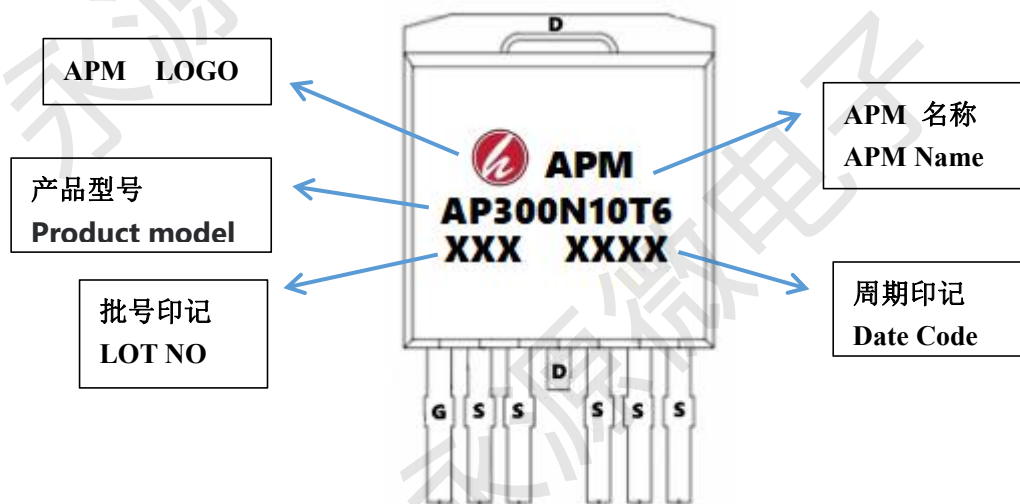
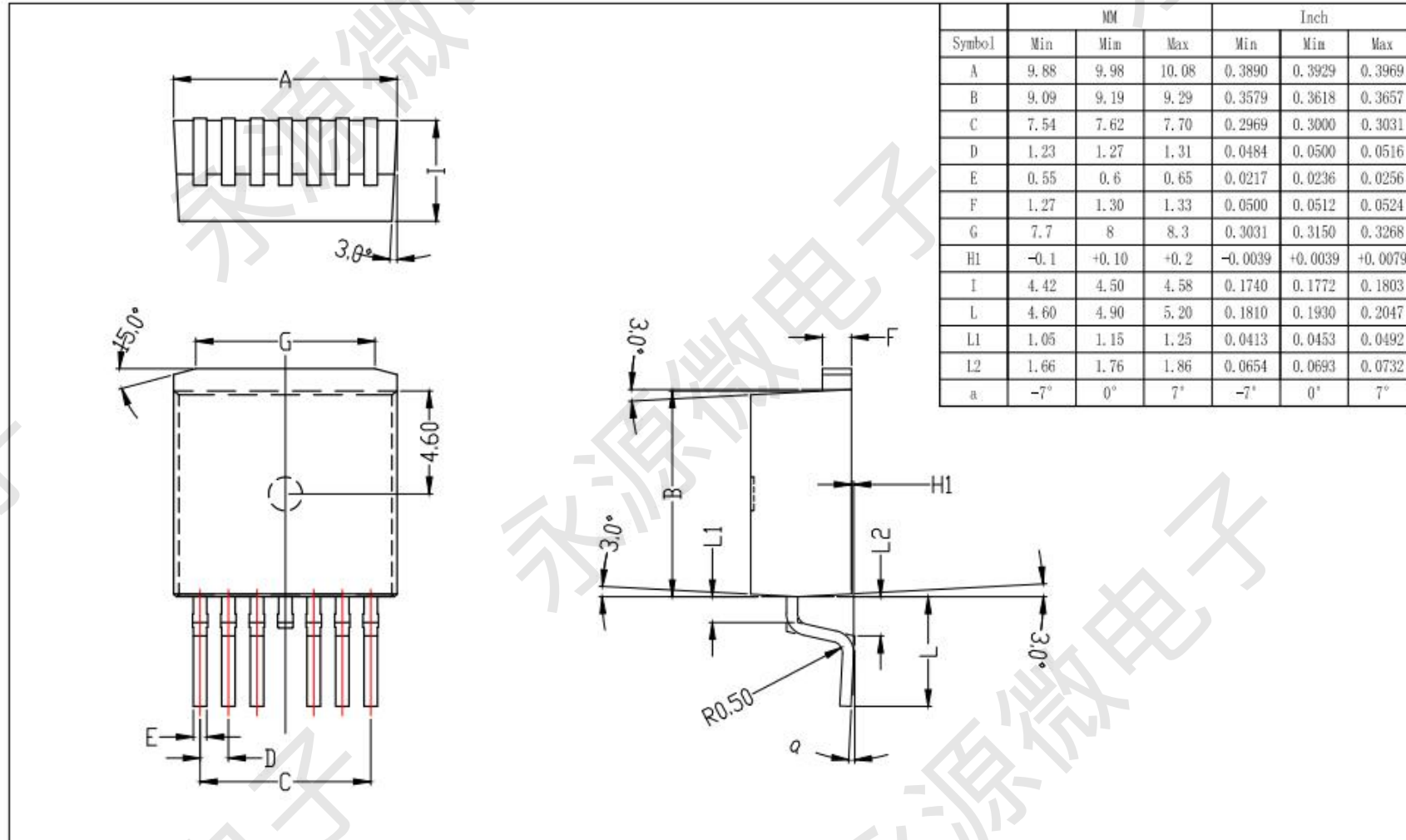


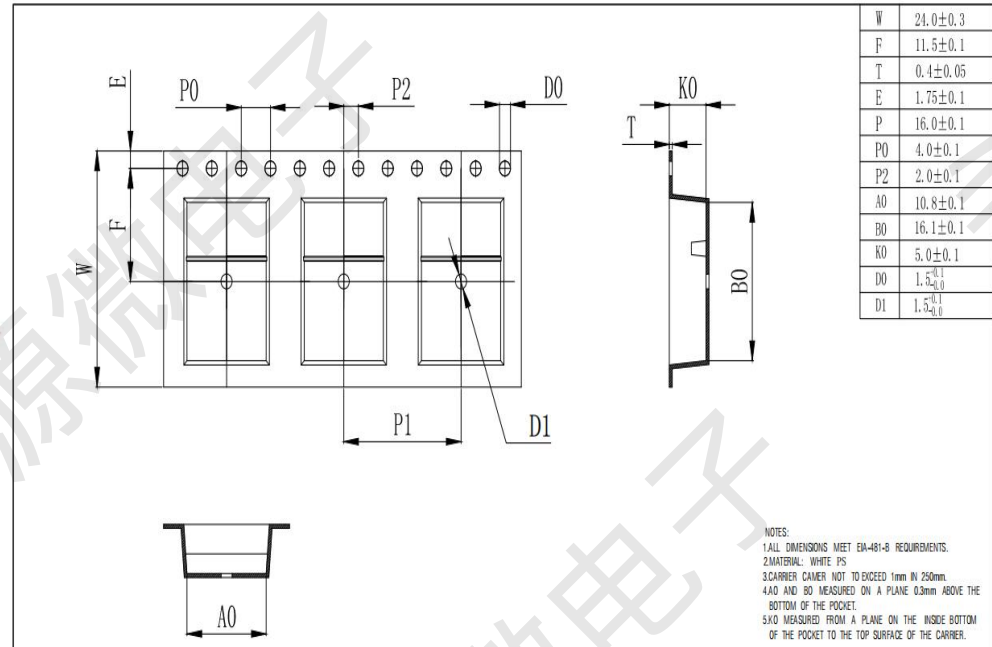
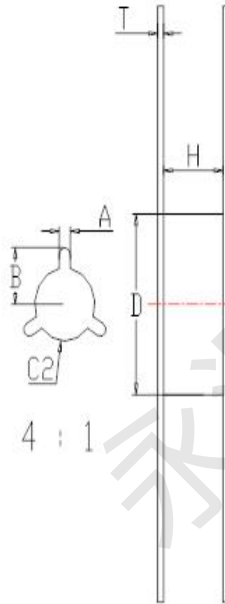
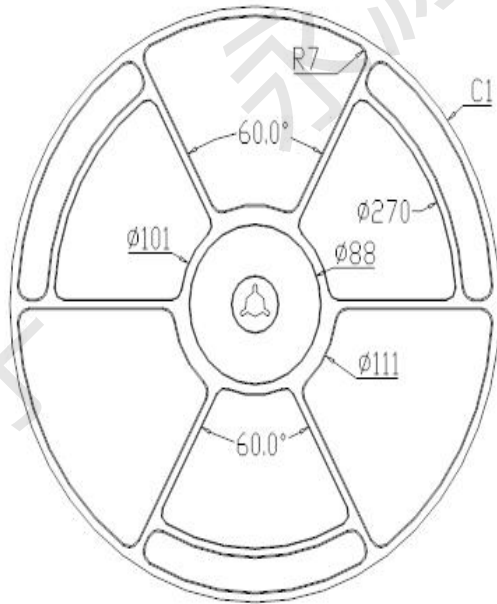
## Screening Instructions



**Package Mechanical Data-TO263-6L --- A**



## Reel Specification-TO-263-6L



W	24.0±0.3
F	11.5±0.1
T	0.4±0.05
E	1.75±0.1
P	16.0±0.1
P0	4.0±0.1
P2	2.0±0.1
A0	10.8±0.1
B0	16.1±0.1
K0	5.0±0.1
D0	1.5 <sup>+0.1</sup> <sub>-0.0</sub>
D1	1.2 <sup>+0.1</sup> <sub>-0.0</sub>

NOTES:  
 1. ALL DIMENSIONS MEET EIA-481-B REQUIREMENTS.  
 2. MATERIAL: WHITE PS  
 3. CARRIER CAMER NOT TO EXCEED 1mm IN 250mm.  
 4. A0 AND B0 MEASURED ON A PLANE 0.3mm ABOVE THE BOTTOM OF THE POCKET.  
 5. K0 MEASURED FROM A PLANE ON THE INSIDE BOTTOM OF THE POCKET TO THE TOP SURFACE OF THE CARRIER.

### Package Quantity

封装形式 Encapsulation mode	包装方式 Modes of packing	包装数量(Package quantity)/重量 (Weight)		
TO263-6L	盘/Reel	800PCS/盘 (Reel)	800PCS/内盒 (Inner Carton)	4000PCS/箱 (Box)
		1.717KG	1.959KG	10.567KG